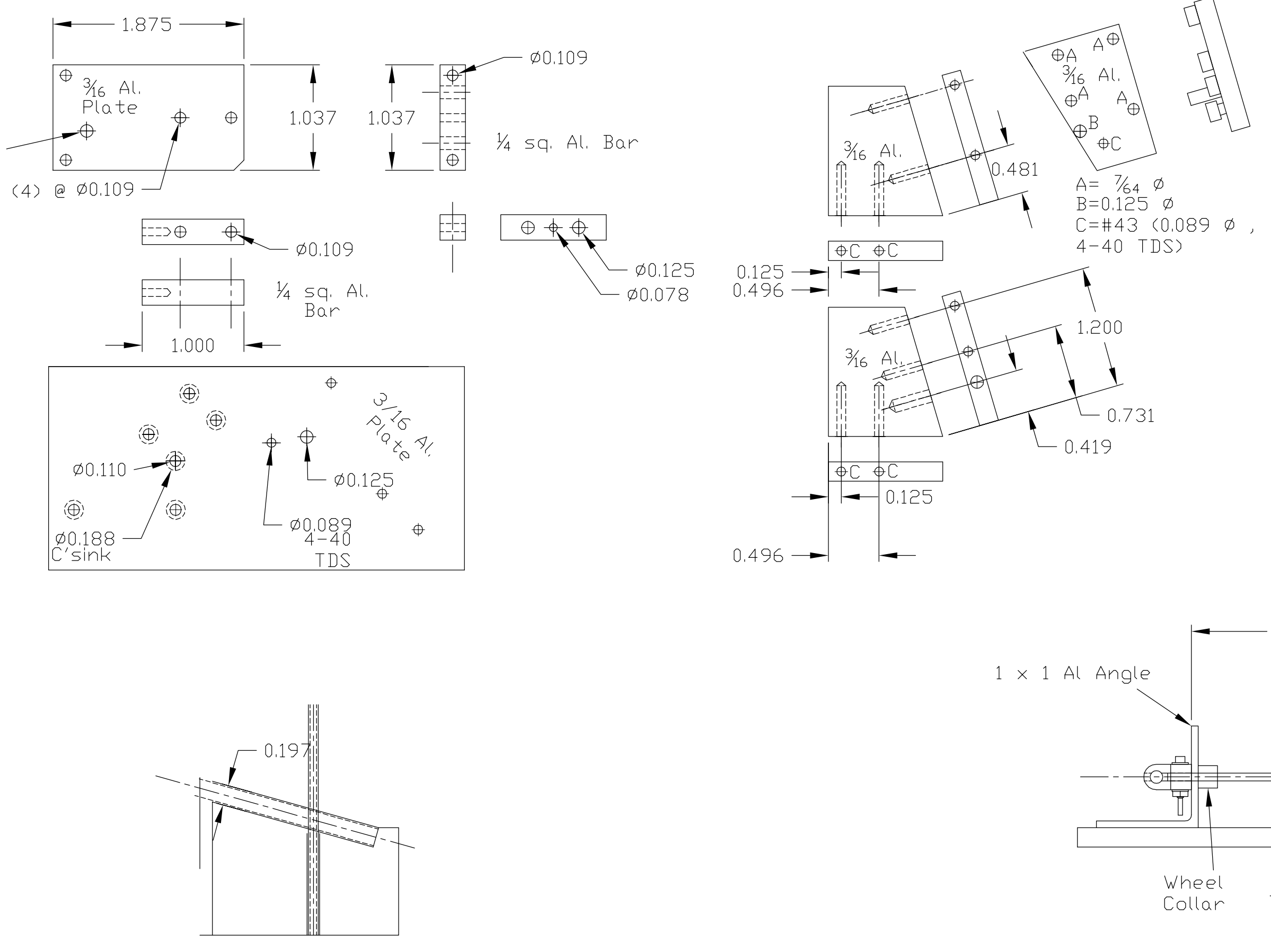
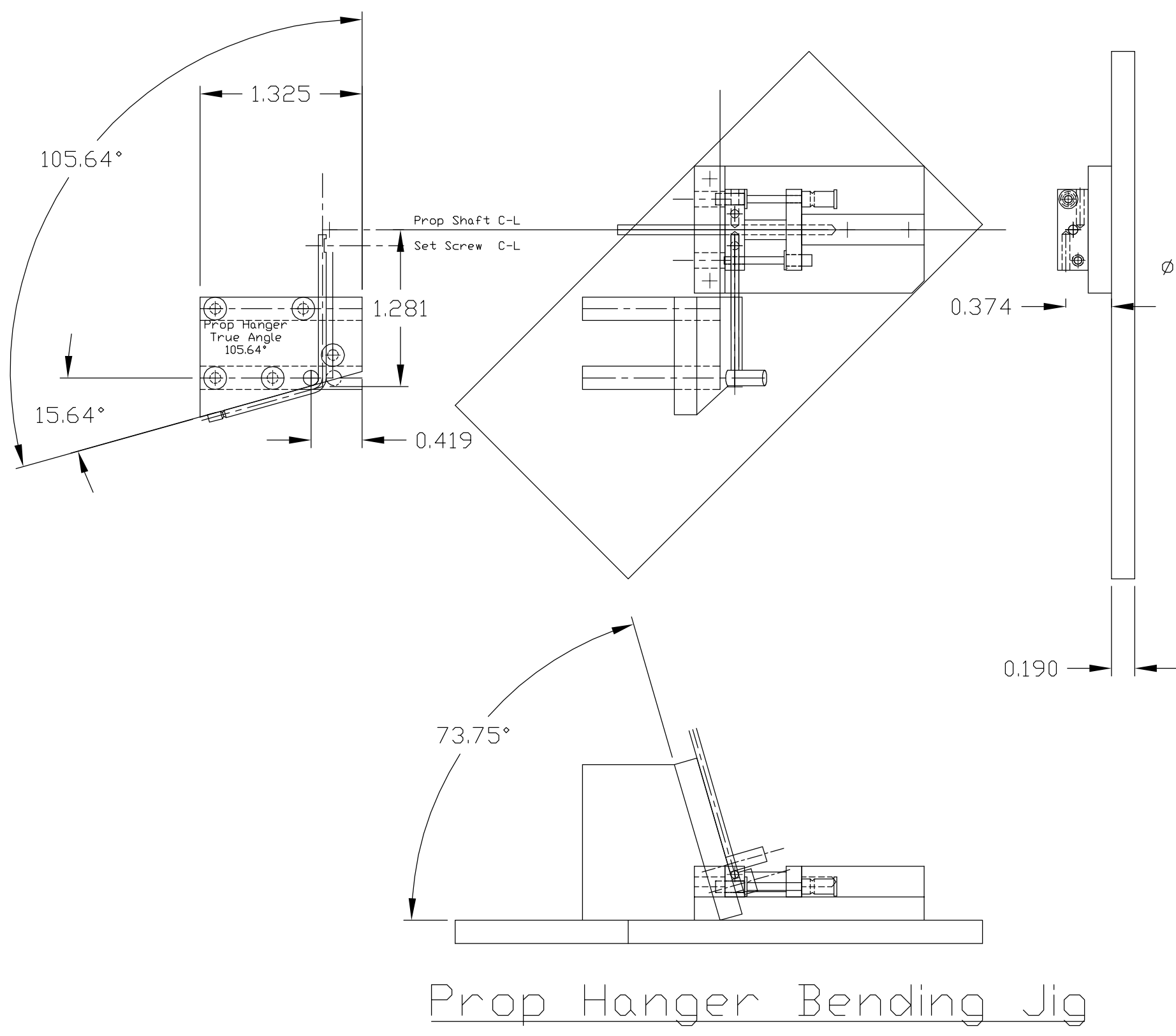
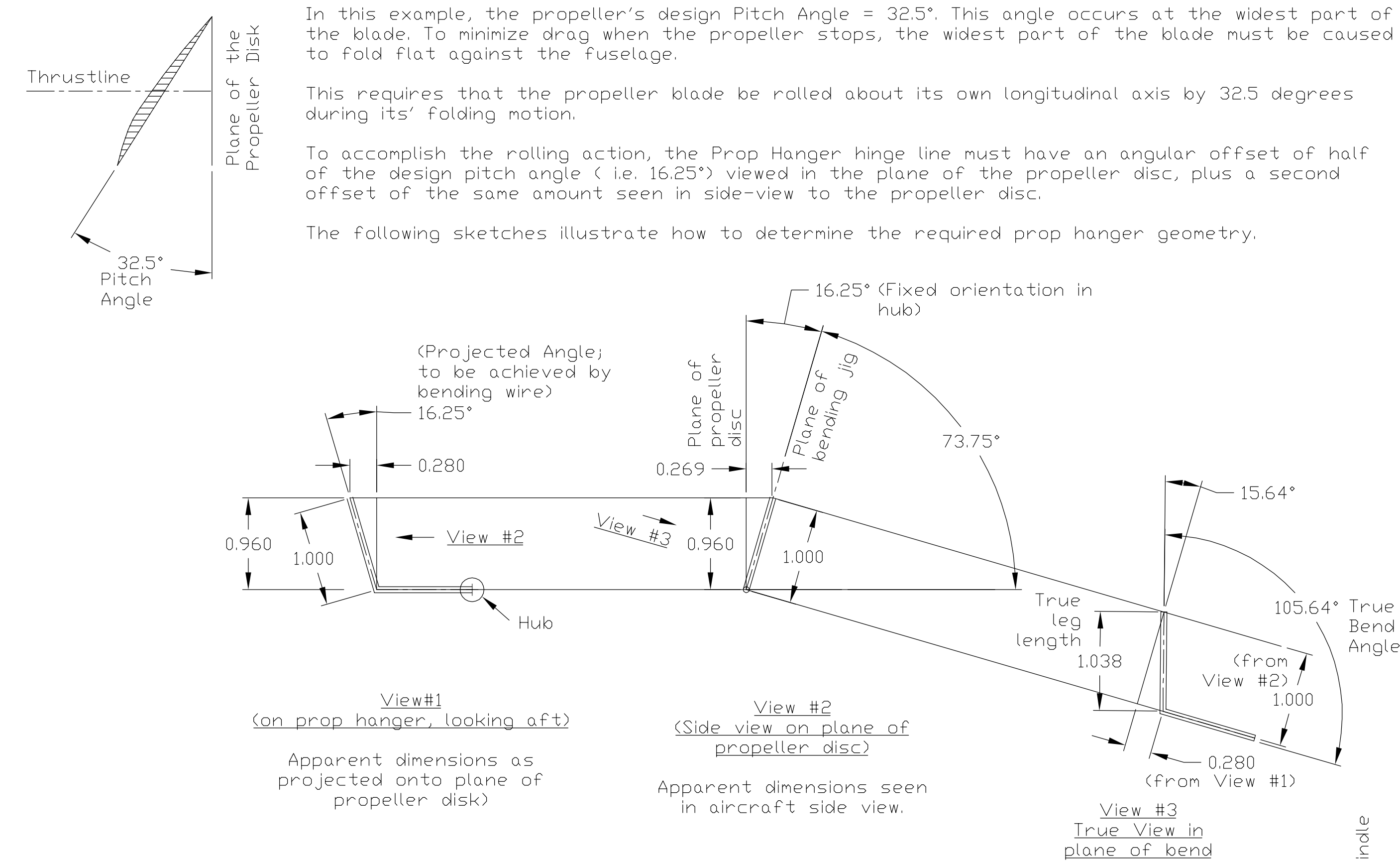
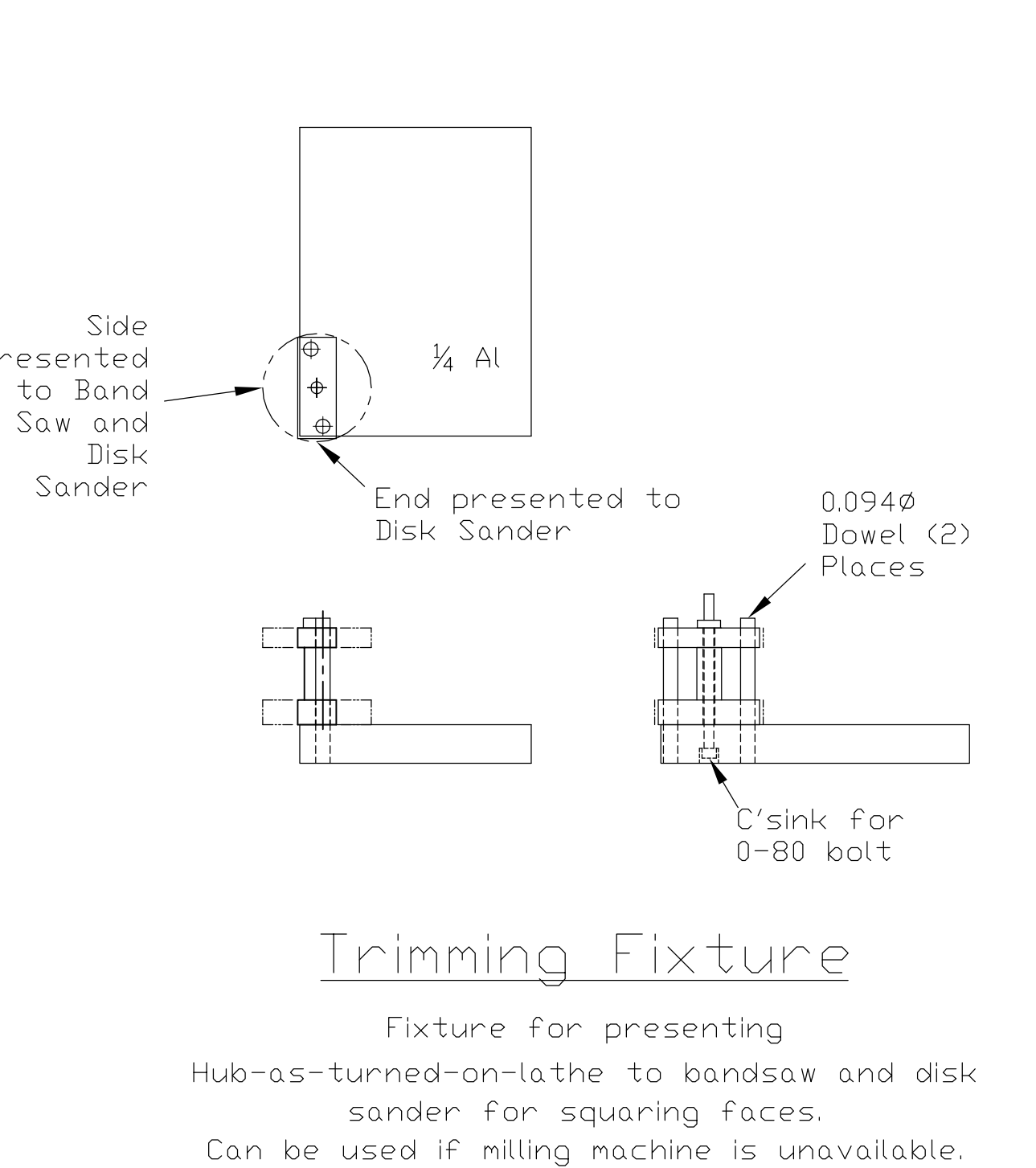
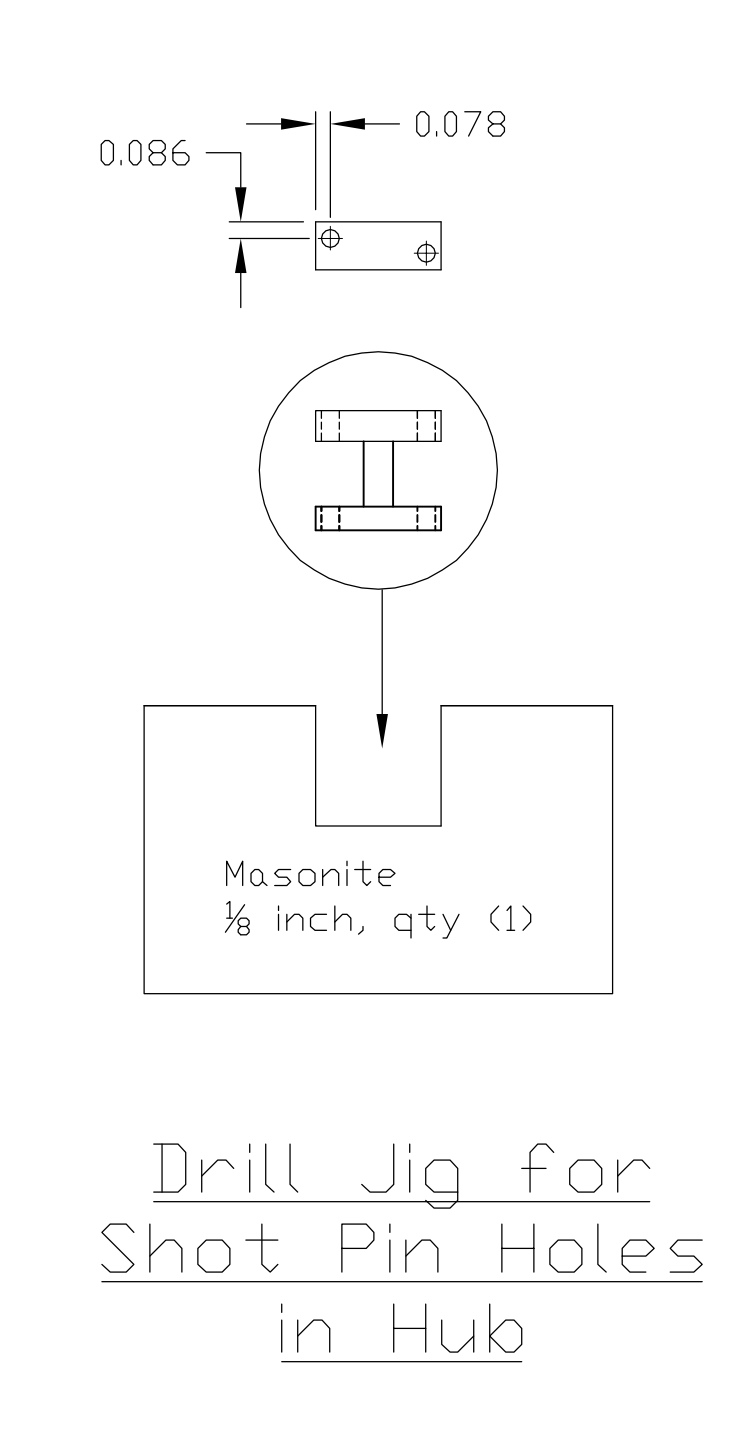
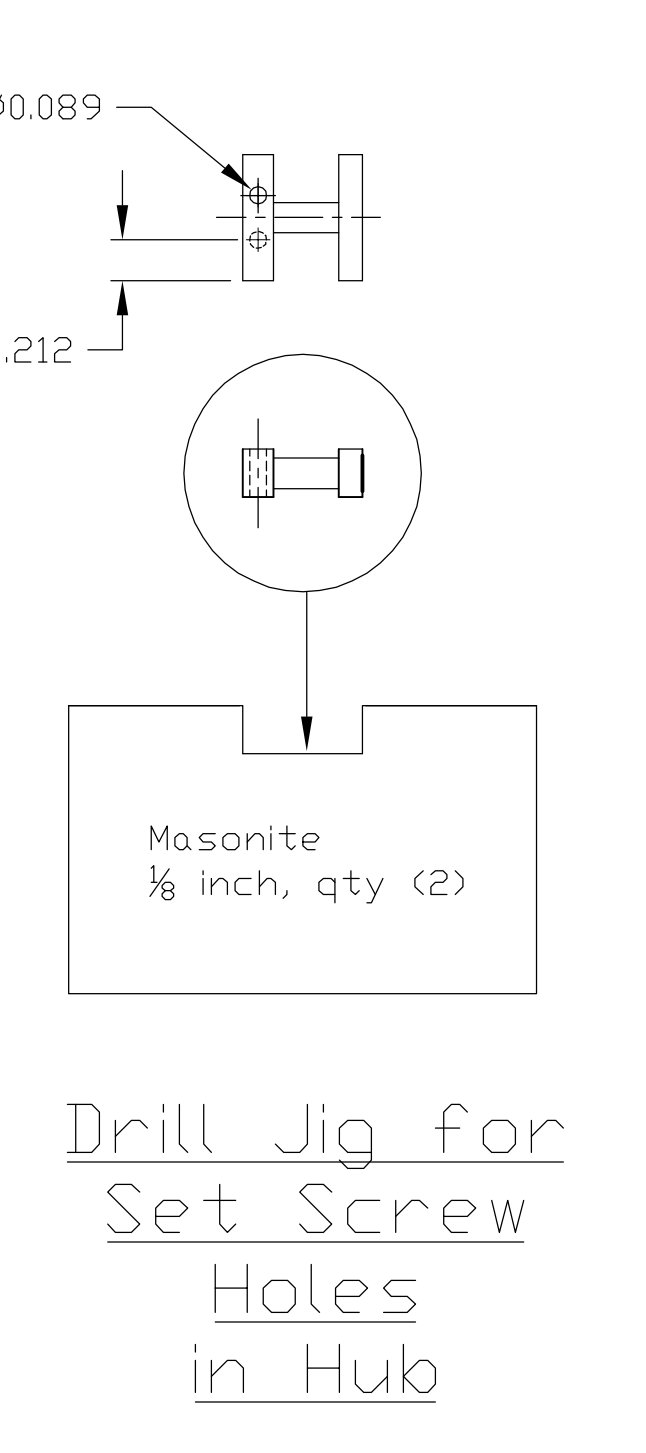
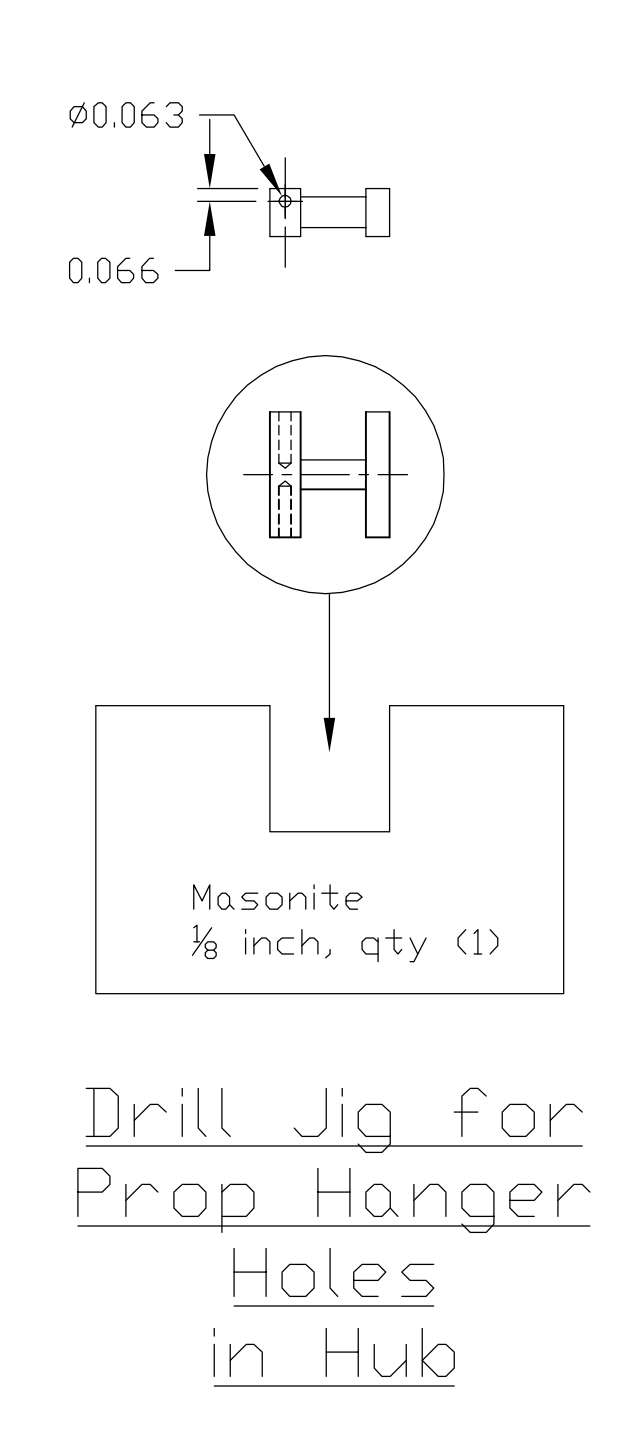
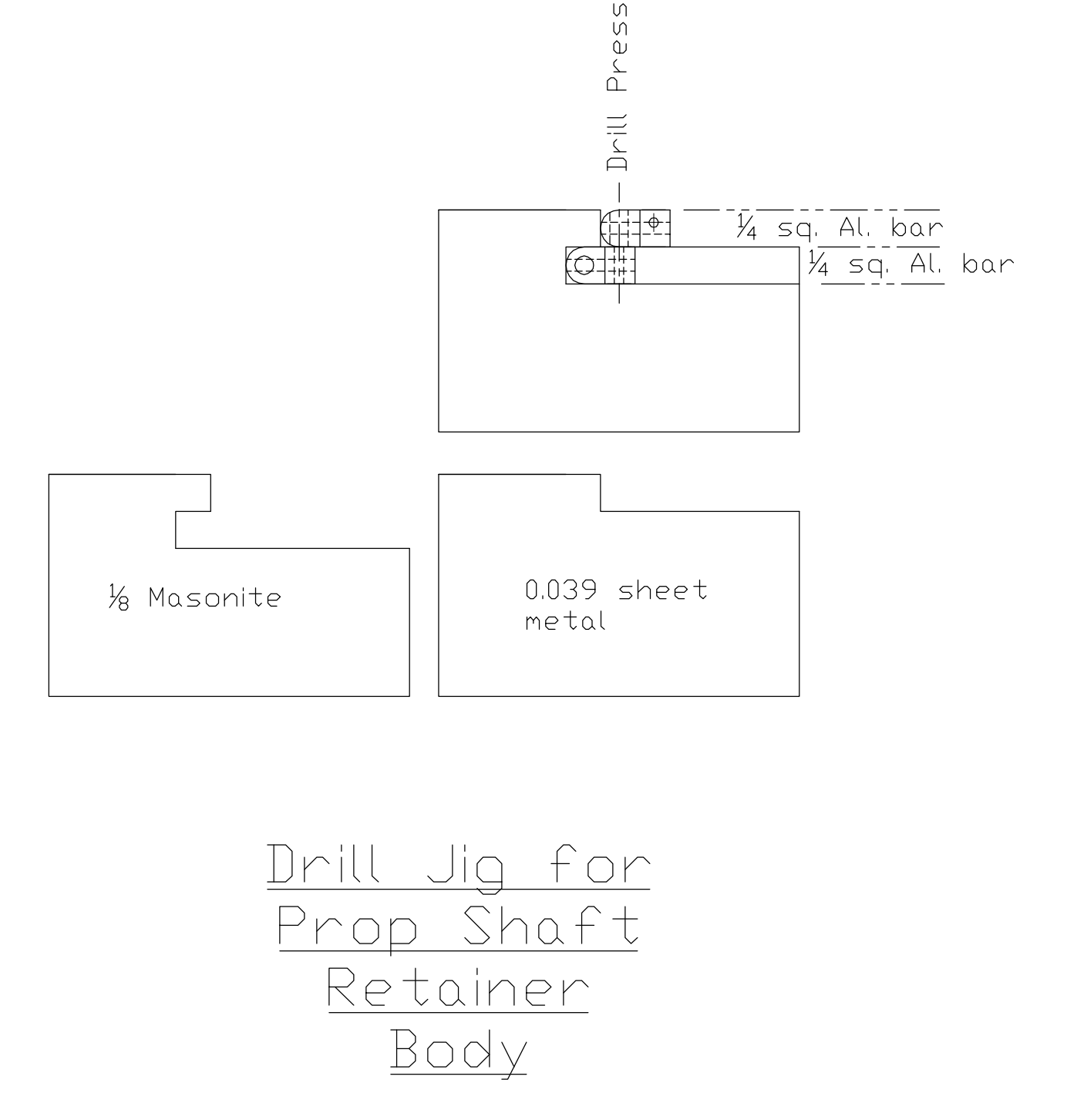
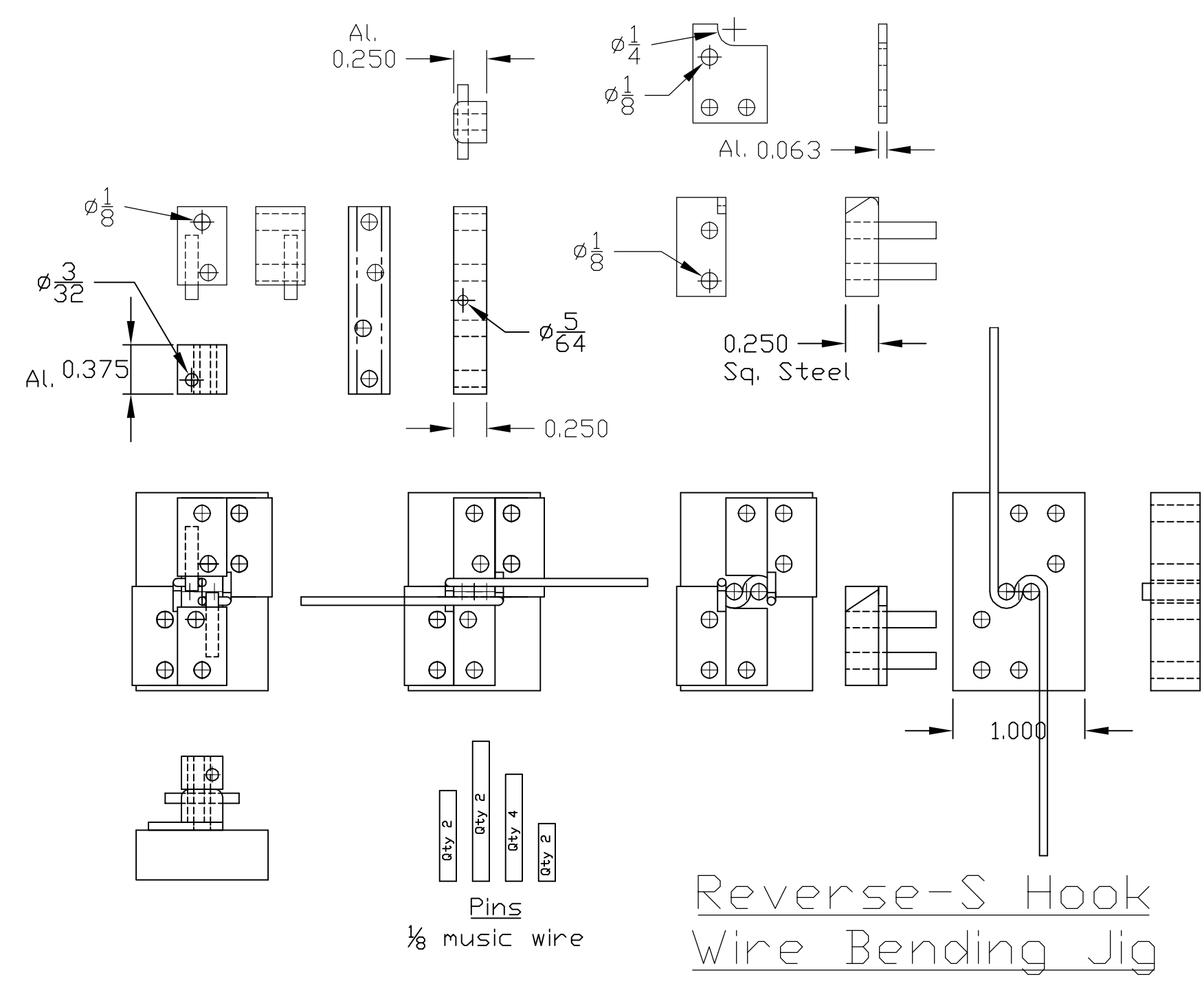
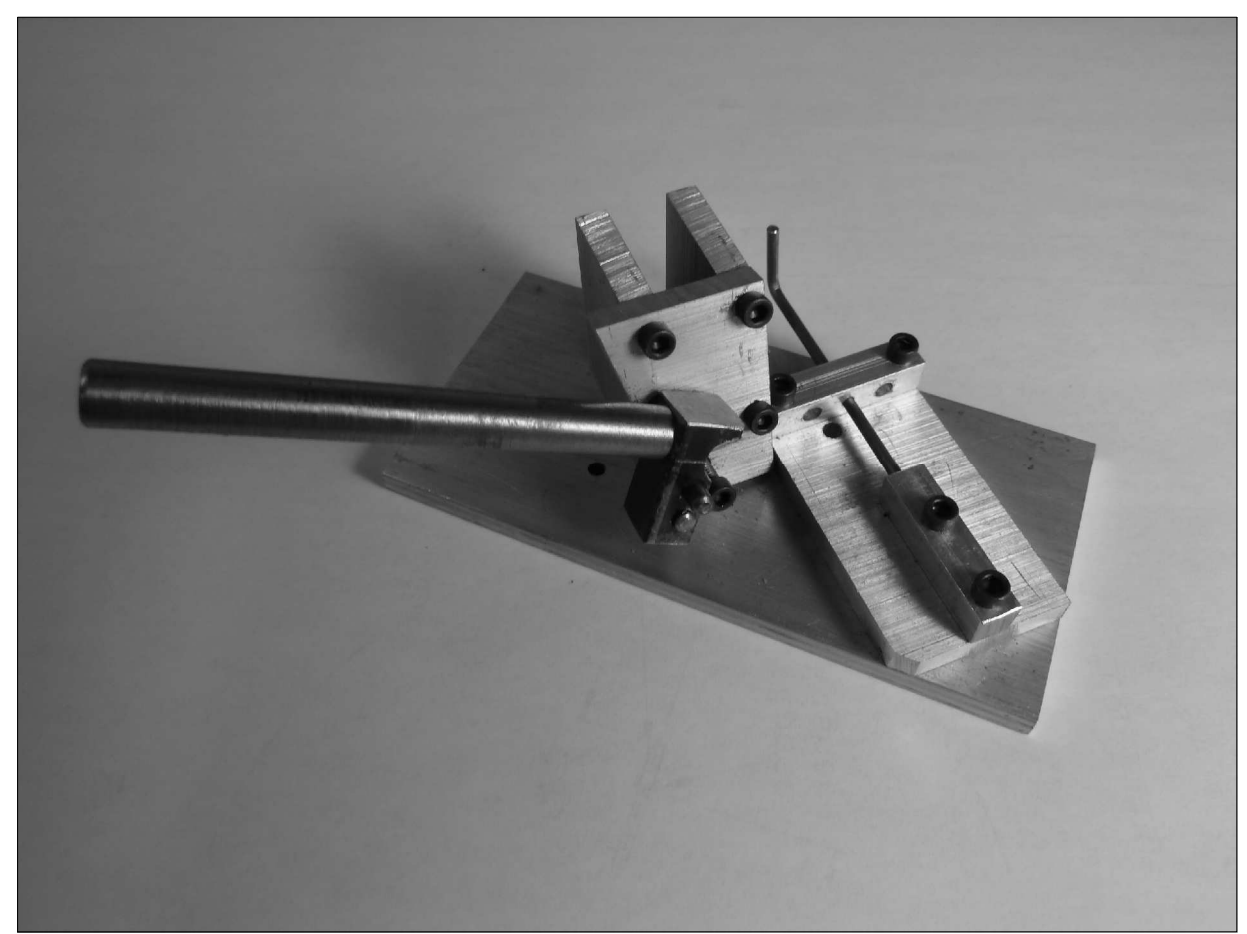


Piece-Parts and Assemblies

Schematic for determining Prop Hanger's "True Bend Angle"



Special Tooling



Rubber Freflight Propeller Brake

"Montreal Stop" type for Props 12"-16" diameter

Bob Hammett, Brantford, Ontario

Revision 1 ... February 2014